

UCA-AVP-x

Vandal Proof GSM/GPRS/3G/4G Antenna

Data Sheet

Doc: 40323 v1.01



BRODERSEN
simplifying systems



INTRODUCTION

Vandal proof GSM/GPRS/3G/4G antenna with cable for installation on all plane surfaces – like road side kiosk/panels, automatic machines and rail roads.

Waterproof and flat design (approx., 15mm high).

No additional rod antennas necessary.

ORDERING CODE

Type	Description
UCA-AVP-5	Wall mounted antenna /w 5m cable.
UCA-AVP-10	Wall mounted antenna /w 10m cable

TECHNICAL DATA

Frequency range: 870-960 and 1710-1990MHz.

VSWR: 2.0:1 typical.

Impedance: 50 Ohm

Gain (typical): 3dB +/-1dB at 850MHz
3dB +/-1dB at 900MHz
3dB +/-1dB at 1800MHz

Max. power: 20 watts.

Dimensions: 80mmx15mm (d x h).

Weight: < 130 gram

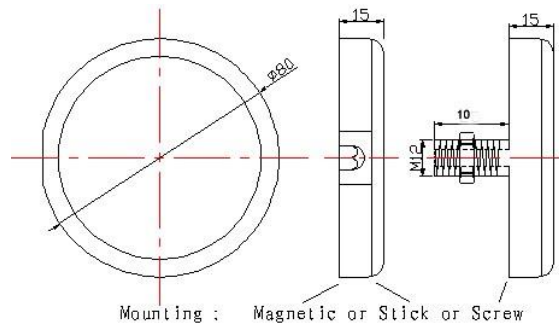
Housing: Black plastic

Cable: 5m or 10m RG174.

Connector: SMA male (straight)

Ambient temperature:

Storage: -40 - +90°C
Operation: -20 - +75°C



INSTALLATION

Mounting in hole for M12. Max. plate thickness allowed is 5mm.

Due to inner substance, it is possible to mount the antenna on metallic and non-metallic surfaces. Generally, installation is possible on all plane surfaces.

When used for GPS/3G/4G data it is essential for good field strength that you mount the antenna placed high and with free space around the antenna.

To guarantee the tightness in mounted condition pay attention to the following:

1. Choose only plain surfaces for installation.
2. Clean mounting surface from any form of dirt
3. Tighten the nut a bit more than sturdy.
4. Avoid direct irradiation with steam jet or high pressure cleaner.